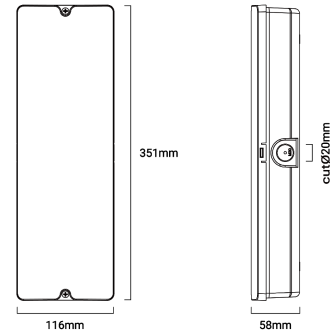


Product Line Drawing



**Input Parameters**

Input Voltage Range	220-240 Vac
Input Current	<0.03A
Power Factor	> 0.32
Frequency	50Hz
Ambient Temperature	0-40C
Class	II
Maximum Input Power (While Charging Battery)	3.5W
Average Input Power (Not Charging Battery)	2.7W

**Emergency Parameters**

Emergency Duration	180minutes
Battery Code(s)	zc-batt-1A1-ACA
Battery Type	LiFePO4
Input Battery Voltage	2.0-4.0 Vdc
Output Battery Voltage	2.0-3.65 Vdc
Input Battery Current	330mA
Output Battery Current	0.08A
Charging Time	24 hours
Emergency Output Power	1.2 W

**Mechanical**

Material	Polycarbonate
Product Colour	RAL7035
Wiring Type	Terminal block
Mounting	Surface Mount
IK Rating	IK10
Ingress Protection	IP65
Product Dimension Length	351mm
Product Dimension Height	58mm
Product Dimension Width	116mm

**Standards**

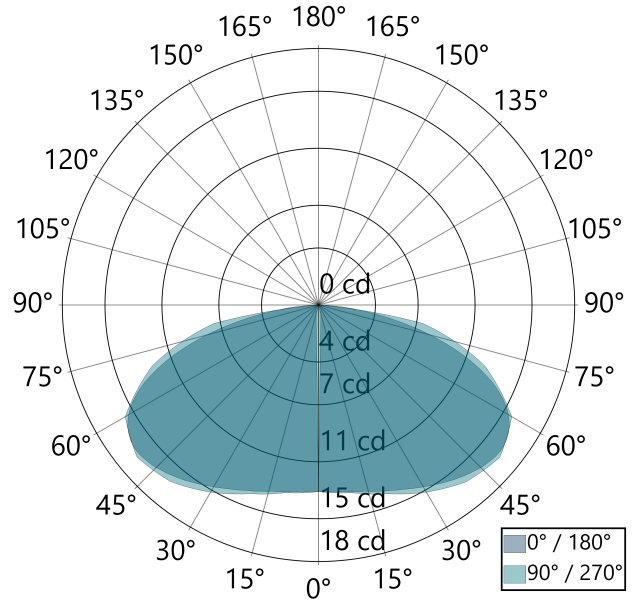
IEC 60598-1	Yes
IEC 60598-2-22	Yes
IEC 62034	Yes

Packaging	
Carton Length	374mm
Carton Width	330mm
Carton Height	260mm
Unit Net Weight	0.50kg
Carton Gross Weight	6.80kg
EAN 13	
EAN 14	
Carton Quantity	Carton 10

**Photometrics**

**Emergency Mode (AU)**

**Emergency Mode (AU)**



Lumens	75.6
--------	------

**Emergency Mode (AU) 0.5 lux**



Mounting Height	0.5 lux			
2.5m	3.38	6.76	6.88	3.44
2.8m	3.34	6.67	7.04	3.52
3.0m	3.33	6.66	7.03	3.51
4.0m	2.75	5.50	5.92	2.96
5.0m	0.84	1.67	1.94	0.97

**Emergency Mode (AU) 1 lux**



Mounting Height	1 lux			
2.5m	2.21	4.42	4.66	2.33
2.8m	1.96	3.92	4.30	2.15
3.0m	1.77	3.53	3.82	1.91