

### INPUT PARAMETERS

Input Voltage Range	220-240 Vac
Input Current	<0.02A
Power Factor	> 0.70
Frequency	50Hz
Ambient Temperature	-5-50C
Class	II
Maximum Input Power (While Charging Battery)	2.5 W
Average Input Power (Full Battery)	0.5 W

### OUTPUT PARAMETERS

Output Voltage 1	10 - 50 Vdc
Output Current 1	10 - 250 mA
Output Mode 1	Constant Power

### EMERGENCY PARAMETERS

Emergency Duration	180minutes
Battery Code(s)	zc-batt-1A3-AEB
Battery Type	LiFePO4
Input Battery Voltage	2.0-4.0 Vdc
Output Battery Voltage	2.0-3.65 Vdc
Input Battery Current	2000mA
Output Battery Current	200mA
Charging Time	24 hours
Emergency Output Power	3.0 W

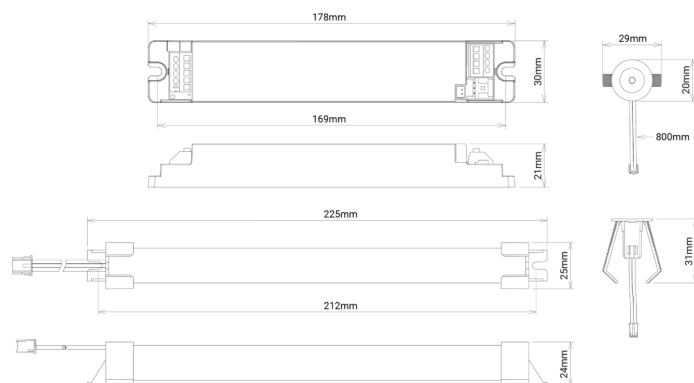
### MECHANICAL

Material	Polycarbonate
Product Colour	RAL9003
Wiring Type	Push Terminal block
Mounting	Inbuilt
IK Rating	IK02
Ingress Protection	IP20
Product Dimension Length	178mm
Product Dimension Height	21mm
Product Dimension Width	30mm

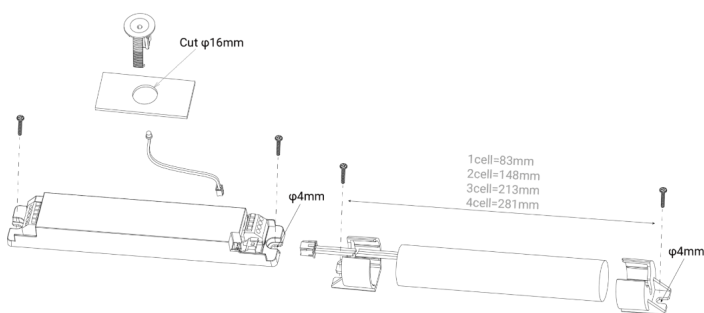
### PACKAGING

Carton Length	0..
Carton Width	0..
Carton Height	0..
Unit Net Weight	0.00kg
Carton Gross Weight	0.00..
EAN 13	
EAN 14	
Carton Quantity	Carton 20

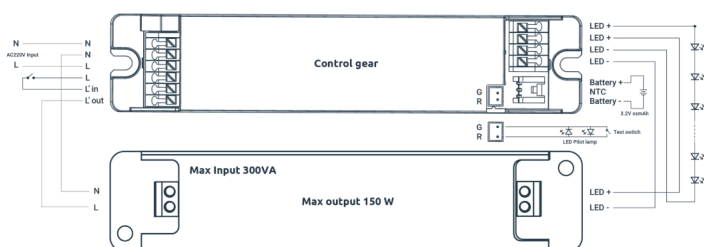
### PRODUCT LINE DRAWING



### PRODUCT INSTALL PICTURE



### WIRING DIAGRAM



**REQUIRED SAFETY WARNINGS**

- This product must only be installed by a licensed electrician.
- Before commencing installation turn off and isolate the electrical supply
- Risk of accidental contact with live parts. Do not energise with product open or disassembled.
- Do not attempt to service other parts of the fitting as this will void the warranty.
- For indoor use only
- For use with led module only
- Reinforced Insulation is maintained between LV circuit and Output circuit.
- Reinforced Insulation is maintained between LV circuit and Battery circuit
- Basic Insulation is maintained between Battery circuit and Output circuit
- Battery terminal is polarity sensitive
- The product is not intended for use in luminaries for high-risk task area lighting.
- The recharging device of the control gear / product will recharge the battery normally after the test of clause 22.3 of IEC 61347-2-7