

Input Parameters

Input Voltage Range	220-240 Vac
Input Current	<0.02A
Power Factor	> 0.32
Frequency	50Hz
Ambient Temperature	0-40C
Class	II
Maximum Input Power (While Charging Battery)	<1.5W
Average Input Power (Not Charging Battery)	<0.5W

Emergency Parameters

Emergency Duration	180minutes
Battery Code(s)	zc-batt-2B1-AAA
Battery Type	LiFePO4
Input Battery Voltage	4.0-8.0 Vdc
Output Battery Voltage	4.0-7.3 Vdc
Input Battery Current	400mA
Output Battery Current	150mA
Charging Time	24 hours
Emergency Output Power	2.8 W

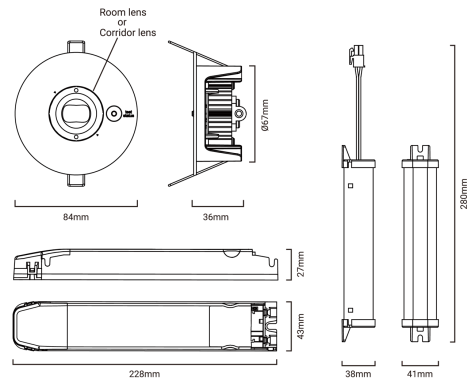
Mechanical

Material	Polycarbonate
Product Colour	RAL9003
Wiring Type	4 Core Free End
Mounting	Recessed Mount
Ingress Protection	IP44
Product Dimension Height	36mm
Product Dimension Diameter	84mm
Product Cutout Diameter	70mm

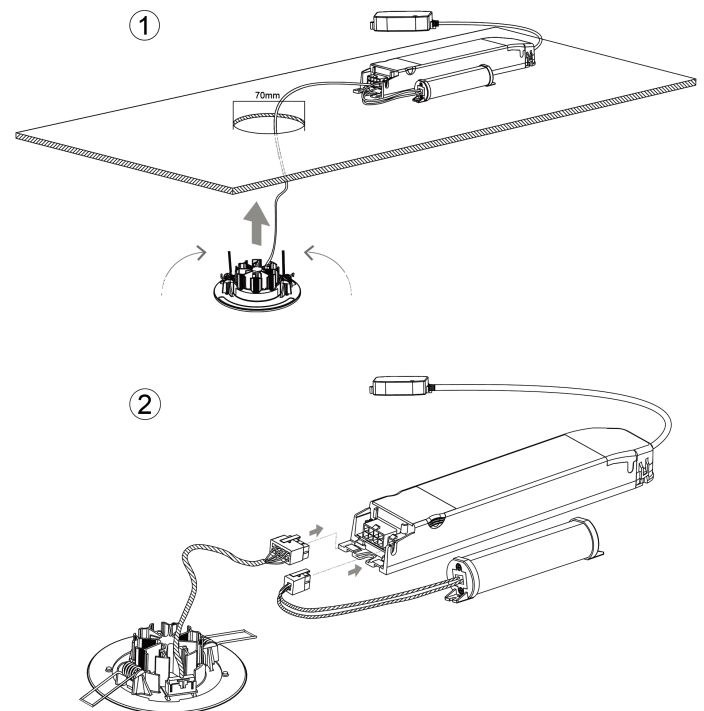
Standards

IEC 60598-1	Yes
IEC 60598-2-22	Yes
IEC 62034	Yes

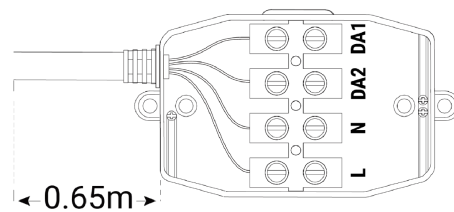
Product Line Drawing



Product Install Picture



Wiring Diagram



Wireless Properties

Bluetooth Yes

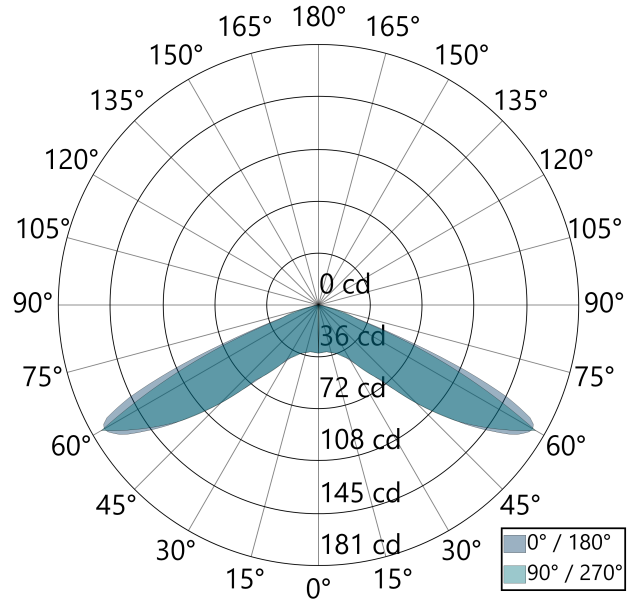
Required Safety Warnings

- This product must only be installed by a licensed electrician.
- Before commencing installation turn off and isolate the electrical supply
- Risk of accidental contact with live parts. Do not energise with product open or disassembled.
- The only replaceable part is the battery
- Do not attempt to service other parts of the fitting as this will void the warranty.
- After installation allow the battery to charge for 24 hours before carrying out discharge testing.
- **WARNING: ALL MAINTENANCE, SUCH AS BATTERY CHANGE ON THIS LUMINAIRE, TO BE PERFORMED BY QUALIFIED PERSONNEL ONLY. DE-ENERGISE ALL SUPPLIES BEFORE MAINTENANCE.**
- As the installer, it is your responsibility to ensure you comply to all relevant building and safety codes. for example the BCA, AS3000
- The replacement of the battery is needed when they no longer meet their rated duration of operation after the corresponding recharge period.
- Dongguan Evolt Electronics Co., Ltd. No.3 Qinghu East Road Yuliangwei Village, Qingxi TownDongguan City, Guangdong, China 523649

Photometrics

Emergency Mode (Room Lens)

Emergency Mode (Room Lens)



Lumens 403.9

Emergency Mode (Room Lens) 0.5 lux



Mounting Height	0.5 lux	
2.5m	6.04	12.07
2.8m	6.60	13.19
3.0m	6.90	13.80
4.0m	8.58	17.16
5.0m	9.81	19.63

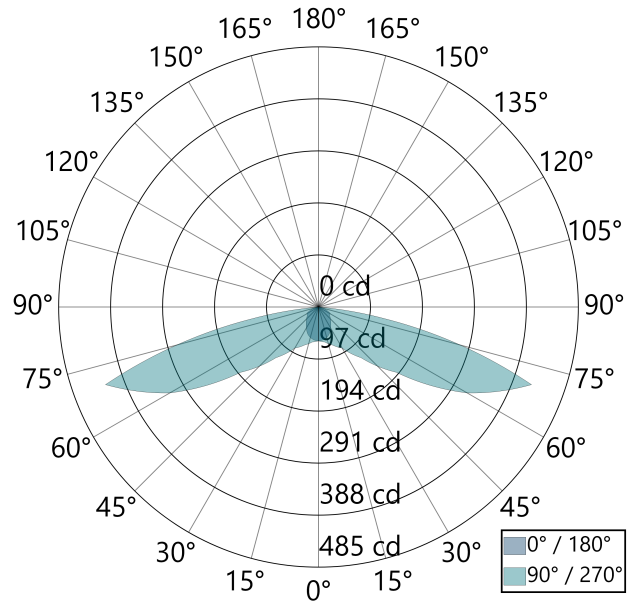
Emergency Mode (Room Lens) 1 lux



Mounting Height	1 lux	
2.5m	5.62	11.23
2.8m	6.00	12.01
3.0m	6.29	12.58
4.0m	7.52	15.05
5.0m	7.55	15.11

Emergency Mode (Corridor Lens)

Emergency Mode (Corridor Lens)



Lumens	384.9
--------	-------

Emergency Mode (Corridor Lens) 0.5 lux



Mounting Height	0.5 lux			
2.5m	4.33	8.66	19.33	9.67
2.8m	4.31	8.62	20.90	10.45
3.0m	4.37	8.73	21.64	10.82
4.0m	4.52	9.04	25.37	12.69
5.0m	4.58	9.16	29.04	14.52

Emergency Mode (Corridor Lens) 1 lux



Mounting Height	1 lux			
2.5m	3.14	6.29	16.88	8.44
2.8m	3.16	6.33	17.76	8.88
3.0m	3.22	6.43	18.47	9.23
4.0m	3.24	6.48	21.98	10.99
5.0m	3.06	6.13	22.46	11.23