



**Input Parameters**

Input Voltage Range	220-240 Vac
Input Current	<0.03A
Power Factor	> 0.32
Frequency	50Hz
Ambient Temperature	0-40C
Class	II
Maximum Input Power (While Charging Battery)	2.5 W
Average Input Power (Not Charging Battery)	2.0 W

**Emergency Parameters**

Emergency Duration	180minutes
Battery Code(s)	zc-batt-1A1-ACA
Battery Type	LiFePO4
Input Battery Voltage	2.0-4.0 Vdc
Output Battery Voltage	2.0-3.65 Vdc
Input Battery Current	300mA
Output Battery Current	80mA
Charging Time	24 hours
Emergency Output Power	0.68 W
Exit Sign View Distance	30m

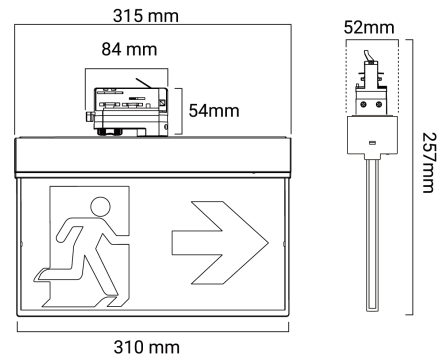
**Mechanical**

Material	Polycarbonate
Product Colour	RAL9003
Wiring Type	Terminal block
Mounting	Powergear track adapter
Ingress Protection	IP20
Product Dimension Length	315mm
Product Dimension Height	271mm
Product Dimension Width	52mm

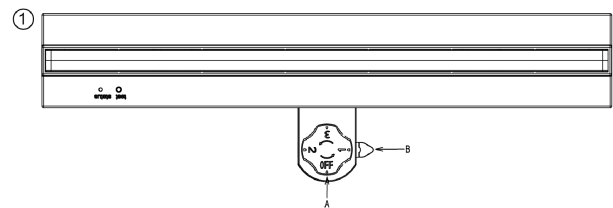
**Standards**

IEC 60598-1	Yes
IEC 60598-2-22	Yes
IEC 62034	Yes

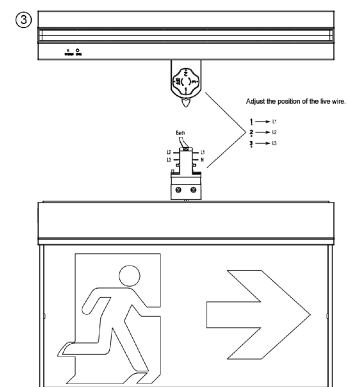
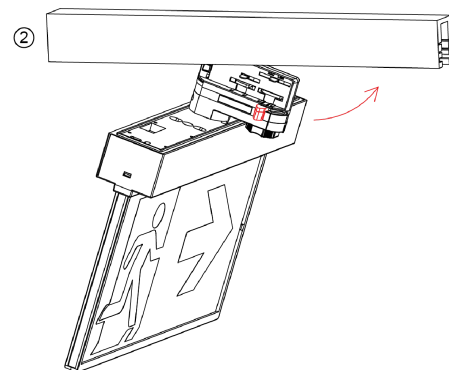
**Product Line Drawing**



**Product Install Picture**

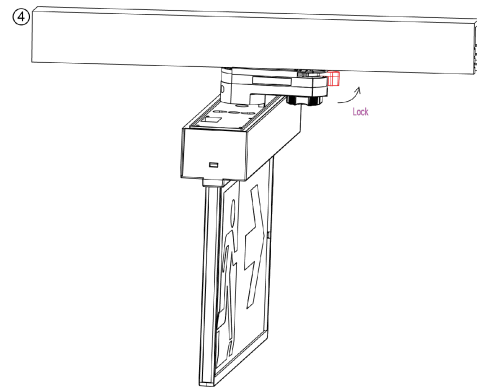


Installing or disassembling:  
A. Make sure the knob is in the OFF state  
B. Open the lever

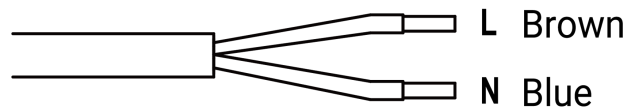


**Required Safety Warnings**

- This product must only be installed by a licensed electrician.
- Before commencing installation turn off and isolate the electrical supply
- Risk of accidental contact with live parts. Do not energise with product open or disassembled.
- The only replaceable part is the battery
- Do not attempt to service other parts of the fitting as this will void the warranty.
- After installation allow the battery to charge for 24 hours before carrying out discharge testing.
- WARNING: ALL MAINTENANCE, SUCH AS BATTERY CHANGE ON THIS LUMINAIRE, TO BE PERFORMED BY QUALIFIED PERSONNEL ONLY. DE-ENERGISE ALL SUPPLIES BEFORE MAINTENANCE.
- As the installer, it is your responsibility to ensure you comply to all relevant building and safety codes. for example the BCA, AS3000
- The replacement of the battery is needed when they no longer meet their rated duration of operation after the corresponding recharge period.
- For indoor use only
- Dongguan Evolt Electronics Co., Ltd. No.3 Qinghu East Road Yuliangwei Village, Qingxi TownDongguan City, Guangdong, China 523649



**Wiring Diagram**



**Photometrics**

**Emergency Mode (AU)**

**Emergency Mode (AU) 0.5 lux**



Mounting Height	0.5 lux			
2.5m	1.65	3.31	2.83	1.41
2.8m	1.31	2.61	2.49	1.25
3.0m	1.00	2.01	2.18	1.09

**Emergency Mode (AU) 1 lux**



Mounting Height	1 lux			
-----------------	-------	--	--	--